

TITANIUM

TML-3DGS Standard Kit
GREEN MULTI-LINE LASER

Product Code: 88670

REVISION 2020.1.0



Instruction Manual

SAFETY

Read the following safety instructions before attempting to operate this tool.

Keep these instructions in a safe place or store in the carry case for future reference.

SAVE ALL WARNINGS AND INSTRUCTIONS FOR FUTURE REFERENCE.



WARNING!
Read and understand all instructions.

- Use the tool only with the specifically designated batteries.
- Store the tool out of reach of children and other untrained persons. Laser tools are dangerous in the hands of untrained users.
- Use only accessories that are recommended for your model.
- Tool service must be performed only by qualified repair personnel. Repairs, service or maintenance performed by unqualified personnel will void the warranty. Only approved and authorised service technicians can carry out warranty repairs.
- Do not use optical tools such as a telescope or transit to view the laser beam. Serious eye injury could result.
- Do not place the tool in a position which may cause anyone to intentionally or unintentionally stare into the laser beam. Serious eye injury could result.
- Do not position the tool near a reflective surface which may reflect the laser beam toward anyone's eyes. Serious eye injury could result.
- Do not use optical tools to view the laser beam.

- Do not set up the tool at a position where the laser beam can cross any person at head height.
- Do not let children come in contact with the tool.
- Turn the tool off when it is not in use. Leaving the tool on increases the risk of starting into the laser beam.
- Do not operate the tool around children or allow children to operate the laser. Serious eye injury may result.
- Position the tool securely on a level surface. Damage to the tool or serious injury could result if the tool falls.
- Do not remove or deface warning labels.
- If the text on the warning label is not in your native language, cover it with the appropriate label supplied before commencing operation of the laser.



WARNING!
Do Not Disassemble The Laser.

There are no user serviceable parts inside. Disassembling the tool will void all warranties on the product. Do not modify the product in any way. Modifying the tool may result in hazardous laser radiation exposure.

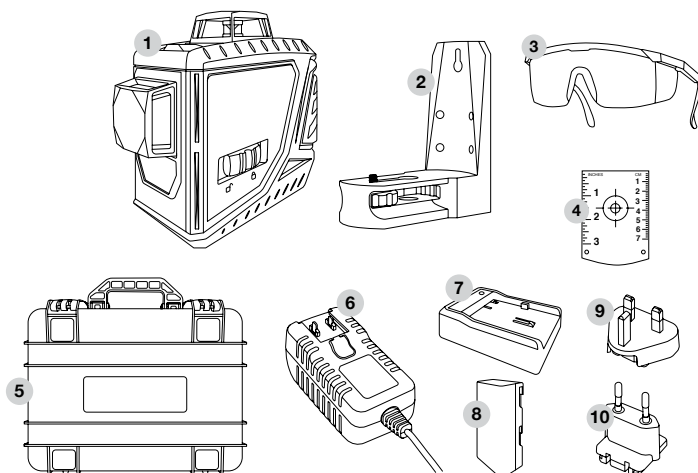


CAUTION!
Class 2 Laser Product

- Never look into the laser beam directly and intentionally.
- Do not use optical tools to view the laser beam.
- Do not set up the tool at a position where the laser beam can cross any person at head height.
- Do not let children come in contact with the laser.

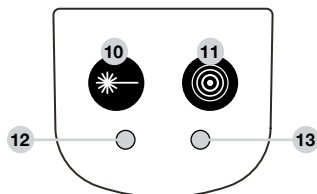
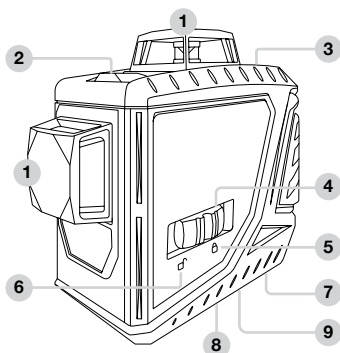
ITEM CHECKLIST

- 1 Titanium TML-3DGS
- 2 Magnetic mount
- 3 Laser glasses
- 4 Laser target
- 5 Carry case
- 6 Indoor charger
- 7 Charging adaptor
- 8 Li-ion battery pack
- 9 Adaptor head (UK)
- 10 Adaptor head (EU)



LASER OVERVIEW

- | | | |
|--------------------------|--|---------------------------|
| 1 Laser port | 5 Locked position (power off) /
Tilt lock function (manual levelling) | 8 1/4" tripod thread |
| 2 Bubble vial | 6 Unlocked position
(power on / self levelling) | 9 5/8" x 11 tripod thread |
| 3 Control Panel | 7 Battery door cover | 10 Line mode |
| 4 Power / locking switch | | 11 Pulse mode |
| | | 12 Power indicator |
| | | 13 Pulse mode indicator |




USING THE LASER


POWER SUPPLY


- The laser level is supplied with a li-ion battery pack as its power source.

Charging the li-ion battery pack

- Attached the adaptor head into the charging adaptor and plug into a power source.
- Insert the charger into the charging adaptor. Connect the li-ion battery onto the charging adaptor (Fig.1 & Fig.2).
- Progress will be shown by the power indicator display on the charging adaptor as below:

 *Red (flashing)* = Charger and battery are not connected.

 *Red (constant)* = Battery is charging

 *Green (constant)* = Battery is charged

- Charging time is approximately 3-4 hours for a depleted battery.

Inserting & removing the li-ion battery pack

- Open the battery cover door and insert the battery tray (Fig.3).
- Insert the li-ion battery pack and close the battery door.

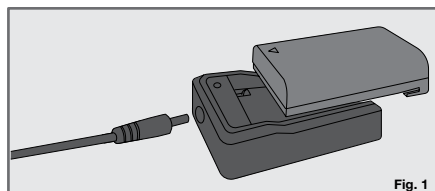


Fig. 1

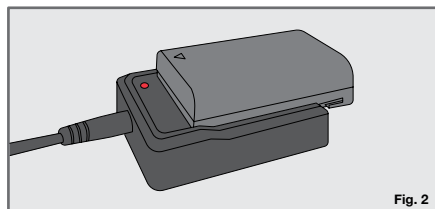


Fig. 2

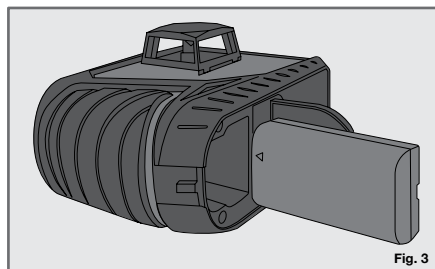


Fig. 3

SETUP

- Select a place as close as practical to the work site. Ensure the location is clear of traffic.
- Place the laser on a level surface such as a bench or mount.

OPERATION

Powering on (self-levelling)

- To turn the laser level on, slide the **power / locking switch** to the **“unlocked”** position. Self levelling will commence and the horizontal beam will activate (Fig. 4).
- Press the **line mode** button on the control panel to cycle through the active beams.
- If the laser level is outside the self levelling range the laser level will not level causing the laser beam to flash on and off repeatedly. If this occurs, reposition the laser level onto a level surface until the laser level can level off.

i In bright outdoor conditions, visible distance will be significantly reduced. For outdoor use, it is recommended to purchase the optional TML-D3H hybrid detector.

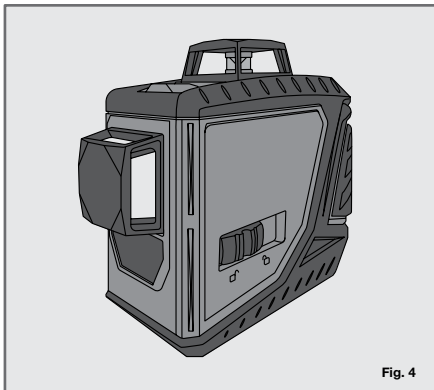


Fig. 4

Powering off (self-levelling)

- To turn the laser level off, slide the **power / locking switch** to the **“locked”** position.

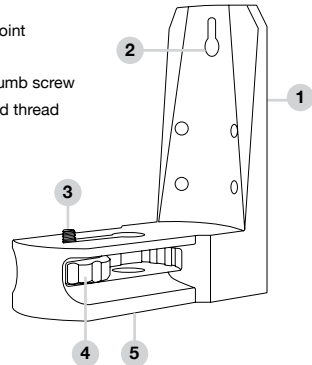
Tilt lock function (manual mode)

- Ensure the **power / locking switch** is in the **“locked”** position.
- Press and hold the **line mode** button for 3 seconds. The horizontal line will activate.
- The laser level can now be tilted to the desired angle.
- Press the **line mode** button on the control panel to cycle through the active beams.
- To turn off the beams, press the **line mode** button until all beams are off.

i When in tilt lock function (manual mode) the laser level will **not** self level and correct for vibrations and/or disturbances.

MAGNETIC MOUNT OVERVIEW

- 1 Magnets
- 2 Screw fixing point
- 3 1/4" thread
- 4 1/4" thread thumb screw
- 5 5/8" x 11 tripod thread



USING THE MAGNETIC MOUNT

Mounting onto a magnetic surface

- Attach the laser level to the mount using the **thumb screw**.
- Attach the mount to a metal surface, ensuring that the mount has a strong hold before releasing your hands.
- To rotate the laser level on the mount, loosen the **thumb screw**, position the laser level, and then re-tighten the **thumb screw**.

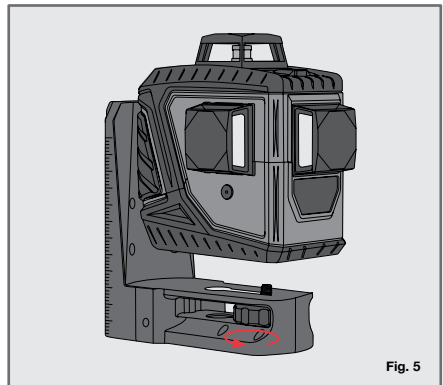


Fig. 5

Mounting via screw fixing points

- Attach the laser level to the mount using the **thumb screw** (Fig. 5).
- Fix a screw into a secure surface and hook the mount over the screw. Ensuring that the mount has a strong hold before releasing your hands.
- To rotate the laser level on the mount, loosen the **thumb screw**, position the laser level, and then re-tighten the **thumb screw**.

MOUNTING TO A TRIPOD

NOT INCLUDED

i A tripod can be purchased from your nearest measurement tool dealer. The below instructions are generic only and set-up methods may vary between models. Refer to the documentation from the tripod manufacturer for details.

- Extend the tripod legs to the required height and ensure the legs are spread wide enough so that the tripod platform is stable. Secure the legs in place (refer to the documentation from the tripod manufacturer for details).
- Place the laser level onto the tripod and mount via the male thread (5/8" or 1/4") into the base until firm. Do not over tighten as this may cause damage to the laser level or tripod.

NOTE: adjustment methods will vary on tripod models. Always ensure that any locking levers are unlocked before making adjustments and returned to the locked position when the adjustment is complete.

- If using an elevating tripod with a measuring scale on the centre column, the height can be adjusted as required.



WARNING! Attaching the laser to a tripod without the correct thread size may cause damage.

USING THE DETECTOR

NOT INCLUDED

DETECTOR OVERVIEW

i The Titanium TML-D3H (89110) detector and clamp can be purchased from your nearest Titanium dealer.

- 1 Bubble vial
- 2 LED direction indicators
- 3 Power button
- 4 Power LED indicator
- 5 Sound on / off button
- 6 Sound LED indicator
- 7 Laser sensor
- 8 Speaker

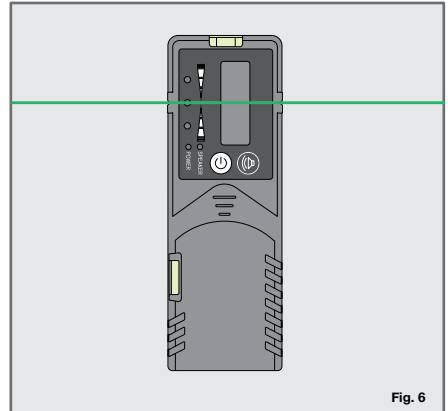
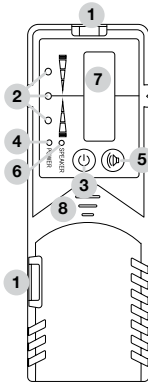


Fig. 6

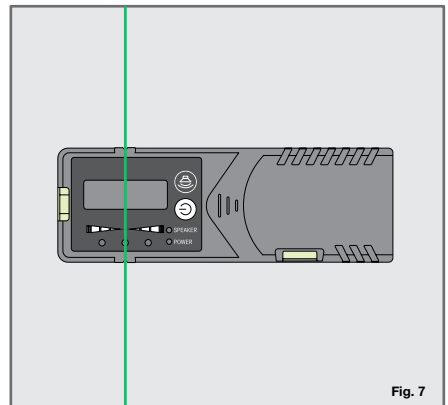


Fig. 7

DETECTOR OPERATION

- Press the *pulse mode* button on the top of the laser level to enter into pulse mode. The *pulse mode indicator* LED will light up.
- Switch the detector on by pressing the *power* button. The speaker will beep indicating the detector is operating.
- Move the detector into the path of the laser beam.
- Hold the detector upright for horizontal beams (Fig. 6). Rotate the detector 90° for vertical beams (Fig. 7).
- The LED direction indicators will indicate the position of the laser beam. The centre LED will indicate alignment with the beam.

1. This is a precision measuring tool and should always be handled with care and transported within the carry case provided.
2. Always turn the laser level off when transporting the laser level or moving around the job site.
3. Whenever possible, store the tool in a dry, shady location.
4. When the tool is not in use or is being stored, it is highly recommended to remove the batteries.
5. Calibration of the tool is recommended: every six months, if ongoing accurate levelling is required, or an impact has occurred.
6. The operator should check the accuracy of the tool before precision levelling is attempted. Failure to do so may result in inaccurate measurements.
7. Clean the tool with a dry, soft cloth after use in dusty, damp or wet conditions before storing.
8. Smudges and fingerprints may be removed with a damp tissue or a soft, lint-free cloth.

WARRANTY

All Titanium measurement tools are carefully checked and tested to our precise quality assurance standards.

We offer a warranty in accordance with the following conditions:

1. Our warranty provides the correction of deficiencies to the tool once verified by an authorised service centre that the deficiencies were caused by a manufacturing fault within the warranty period.
2. The standard warranty period is 3 years from the date of purchase. The warranty period can be extended to 7 years upon registration of the tool within 30 days of purchase.
3. The warranty does not cover:
 - a) Calibrations and components that are subject to wear and tear.
 - b) Defects in the tool caused by non-compliance with the operation instructions, improper use, abnormal environmental conditions, inappropriate operating conditions or insufficient maintenance.
 - c) Defects caused by using accessories or spare parts other than approved parts.
 - d) Services or repairs carried out by non-authorised persons.
4. Defects recognised by an authorised service centre as being covered by the warranty shall be corrected either by repair or replacement of the tool.
5. The warranty claim must be lodged within the warranty period. This requires the complete tool with the original sales receipt containing the purchase date and place of purchase. Partial or disassembled tools cannot be submitted for a warranty claim.
6. Services provided under warranty do not lengthen or renew the warranty of the tool.

The above guarantees apply to tools that are purchased in the countries and regions specified online at www.titaniumlaser.tools

3 YEAR STANDARD WARRANTY PERIOD

1. The warranty period for your tool is 3 years from the date of purchase.
2. The warranty period for batteries, battery packs and chargers is 1 year from the date of purchase.
3. Calibrations are not covered under warranty as they are deemed wear and tear.
4. All products have a standard warranty period, you do not have to register your products to obtain the standard warranty period.
5. To claim under this warranty, the date of purchase of the tool must be documented by an invoice/receipt.

7 YEAR EXTENDED WARRANTY PERIOD

1. The extended warranty is available on selected tools only.
2. You may extend the warranty period for your tool (laser level, optical level or laser distance measurer) to 7 years from the date of purchase. Accessories are excluded from the warranty extension and remain at the 3 year warranty period.
3. The warranty period for batteries, battery packs and chargers is 1 year from the date of purchase.
4. Calibrations are not covered under warranty as they are deemed wear and tear.
5. To obtain the extended warranty, the registration process must be completed within 30 days from the date of purchase.
6. Failure to register your product online and/or submission of a valid invoice/receipt will void the warranty extension.
7. Please ensure ALL information submitted/uploaded is correct.

Extended warranty is ONLY available via online registration, offline (mailing in of warranty registration) will not be accepted.

Visit www.titaniumlaser.tools to register.

TROUBLE SHOOTING

Error	Cause & Solution
Laser does not turn on	<ul style="list-style-type: none"> Check the batteries. They may be in the wrong way or need replacing. Check the battery compartment for signs of damage and ensure that the compartment is clean and that the battery terminals are not bent.
Laser does not remain on for long periods of use.	<ul style="list-style-type: none"> Check the batteries. They may need replacing. Check the battery compartment for signs of damage and ensure that the compartment is clean and that the battery terminals are not bent.
Laser does not level off	<ul style="list-style-type: none"> Laser level may be outside its self levelling range and may require an adjustment before self-levelling can commence. Laser level may have impact damage.

CUSTOMER SUPPORT

To assist you with any queries or technical questions please contact customer support.

Australia: 1300 658 338

New Zealand: 0800 367 527

United Kingdom: 0808 189 1152

All other countries / regions:

Visit www.titaniumlaser.tools for more information

EU DIRECTIVES AND DISPOSAL

This device complies with all necessary standards for the free movement of goods within the EU. This product is an electric device and must be collected separately for disposal according to the European Directive on waste electrical and electronic equipment.

SPECIFICATIONS

Specifications	TML-3DGS
Product code	88570
Warranty	7 Years*
Accuracy	±1.5mm at 10m (±1/10in / 0.06in at 30ft)
Operating range	60m / 190ft (with included detector)
Levelling range	±4°
Laser class	2 Green
Battery life	10 hours+
Battery type	Li-ion battery pack / 4x 1.5V AA
Vertical lines	2
Horizontal lines	1
IP rating	54
Weight (kg)	0.8
Dimensions (mm)	150 x 75 x 125

*With online registration (3 years without registration). Please refer to page 7 for details.

TITANIUM

© 2020. *Titanium Laser Tools*